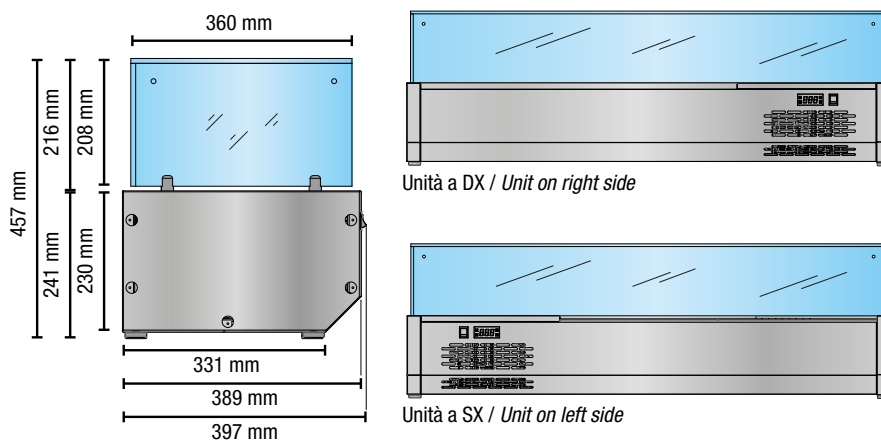


# VETRINA REFRIGERATA INGREDIENTI GN 1/3

1/3 GN refrigerated display for ingredients



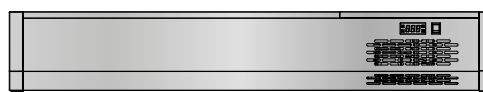
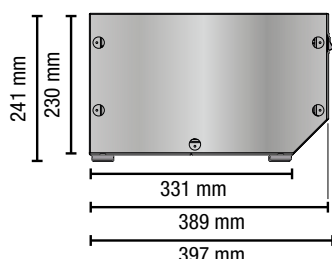
## VETRINA REFRIGERATA INGREDIENTI PIZZA VR3 VD / REFRIGERATED DISPLAY FOR PIZZA INGREDIENTS VR3 VD

VR3 Profondità 389 mm per vaschette GN 1/3 / 1/3 GN bowls, depth 389 mm - VD Vetri dritti / Straight glass

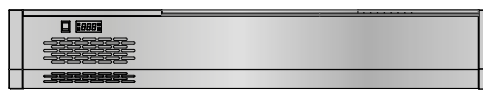
	Dimensioni (LxPxH mm) Dimensions (LxDxH mm)	Nr. di contenitori GN Number of GN stainless steel bowls
Codice / Code: <b>VR3120VD / VR3120VDSX</b>	1200 x 389 x 457 mm	4 x GN 1/3
Codice / Code: <b>VR3140VD / VR3140VDSX</b>	1400 x 389 x 457 mm	5 x GN 1/3
Codice / Code: <b>VR3150VD / VR3150VDSX</b>	1500 x 389 x 457 mm	5 x GN 1/3
Codice / Code: <b>VR3160VD / VR3160VDSX</b>	1600 x 389 x 457 mm	6 x GN 1/3
Codice / Code: <b>VR3190VD / VR3190VDSX</b>	1900 x 389 x 457 mm	8 x GN 1/3
Codice / Code: <b>VR3200VD / VR3200VDSX</b>	2000 x 389 x 457 mm	8 x GN 1/3
Codice / Code: <b>VR3203VD / VR3203VDSX</b>	2030 x 389 x 457 mm	8 x GN 1/3
Codice / Code: <b>VR3215VD / VR3215VDSX</b>	2150 x 389 x 457 mm	9 x GN 1/3
Codice / Code: <b>VR3240VD / VR3240VDSX</b>	2400 x 389 x 457 mm	10 x GN 1/3
Codice / Code: <b>VR3270VD / VR3270VDSX</b>	2700 x 389 x 457 mm	12 x GN 1/3
Assorbimento all'avviamento / Starting electrical input	260 W / 1,52 A	
Assorbimento a regime / Steady state electrical input	220 W / 1,40 A	
Temperatura d'esercizio / Working temperature	+3°C / +5°C	
Gas refrigerante / Cooling gas	R452A - R455A - <b>R290</b> (A richiesta / On request)	
Classe climatica - Dati collaudo / Climatic class - Testing data	4 - Temperatura + 30°C / Umidità relativa 60% 4 - Temperature + 30°C / Relative humidity 60%	
Alimentazione / Power supply	220 / 240 V - 1P - 50 Hz (60 Hz A richiesta / On request)	

# VETRINA REFRIGERATA INGREDIENTI GN 1/3

1/3 GN refrigerated display for ingredients



Unità a DX / Unit on right side



Unità a SX / Unit on left side

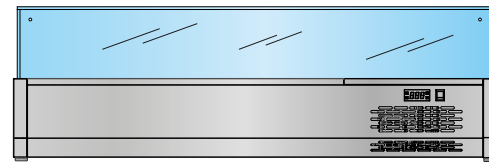
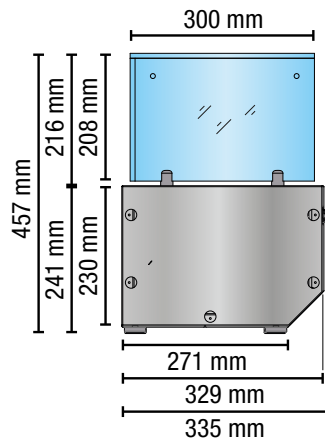
## VETRINA REFRIGERATA INGREDIENTI PIZZA VR3 SV/ REFRIGERATED DISPLAY FOR PIZZA INGREDIENTS VR3 SV

**VR3** Profondità 389 mm per vaschette GN 1/3 / 1/3 GN bowls, depth 389 mm - **SV** Senza vetri / Without glass

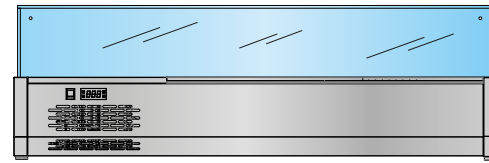
	Dimensioni (LxPxH mm) Dimensions (LxDxH mm)	Nr. di contenitori GN Number of GN stainless steel bowls
Codice / Code: <b>VR3120SV / VR3120SVSX</b>	1200 x 389 x 241 mm	4 x GN 1/3
Codice / Code: <b>VR3140SV / VR3140SVSX</b>	1400 x 389 x 241 mm	5 x GN 1/3
Codice / Code: <b>VR3150SV / VR3150SVSX</b>	1500 x 389 x 241 mm	5 x GN 1/3
Codice / Code: <b>VR3160SV / VR3160SVSX</b>	1600 x 389 x 241 mm	6 x GN 1/3
Codice / Code: <b>VR3190SV / VR3190SVSX</b>	1900 x 389 x 241 mm	8 x GN 1/3
Codice / Code: <b>VR3200SV / VR3200SVSX</b>	2000 x 389 x 241 mm	8 x GN 1/3
Codice / Code: <b>VR3203SV / VR3203SVSX</b>	2030 x 389 x 241 mm	8 x GN 1/3
Codice / Code: <b>VR3215SV / VR3215SVSX</b>	2150 x 389 x 241 mm	9 x GN 1/3
Codice / Code: <b>VR3240SV / VR3240SVSX</b>	2400 x 389 x 241 mm	10 x GN 1/3
Codice / Code: <b>VR3270SV / VR3270SVSX</b>	2700 x 389 x 241 mm	12 x GN 1/3
Absorbimento all'avviamento / Starting electrical input	260 W / 1,52 A	
Absorbimento a regime / Steady state electrical input	220 W / 1,40 A	
Temperatura d'esercizio / Working temperature	+3°C / +5°C	
Gas refrigerante / Cooling gas	R452A - R455A - <b>R290</b> (A richiesta / On request)	
Classe climatica - Dati collaudo / Climatic class - Testing data	4 - Temperatura + 30°C / Umidità relativa 60% 4 - Temperature + 30°C / Relative humidity 60%	
Alimentazione / Power supply	220 / 240 V - 1P - 50 Hz (60 Hz A richiesta / On request)	

# VETRINA REFRIGERATA INGREDIENTI GN 1/4

1/4 GN refrigerated display for ingredients



Unità a DX / Unit on right side



Unità a SX / Unit on left side

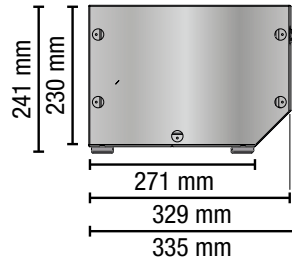
## VETRINA REFRIGERATA INGREDIENTI PIZZA VR4 VD / REFRIGERATED DISPLAY FOR PIZZA INGREDIENTS VR4 VD

VR4 Profondità 329 mm per vaschette GN 1/4 / 1/4 GN bowls, depth 329 mm - VD Vetri dritti / Straight glass

	Dimensioni (LxPxH mm) Dimensions (LxDxH mm)	Nr. di contenitori GN Number of GN stainless steel bowls
Codice / Code: <b>VR4120VD / VR4120VDSX</b>	1200 x 329 x 457 mm	4 x GN 1/4
Codice / Code: <b>VR4140VD / VR4140VDSX</b>	1400 x 329 x 457 mm	5 x GN 1/4
Codice / Code: <b>VR4150VD / VR4150VDSX</b>	1500 x 329 x 457 mm	6 x GN 1/4
Codice / Code: <b>VR4160VD / VR4160VDSX</b>	1600 x 329 x 457 mm	7 x GN 1/4
Codice / Code: <b>VR4190VD / VR4190VDSX</b>	1900 x 329 x 457 mm	8 x GN 1/4
Codice / Code: <b>VR4200VD / VR4200VDSX</b>	2000 x 329 x 457 mm	9 x GN 1/4
Codice / Code: <b>VR4203VD / VR4203VDSX</b>	2030 x 329 x 457 mm	9 x GN 1/4
Codice / Code: <b>VR4215VD / VR4215VDSX</b>	2150 x 329 x 457 mm	10 x GN 1/4
Codice / Code: <b>VR4240VD / VR4240VDSX</b>	2400 x 329 x 457 mm	12 x GN 1/4
Codice / Code: <b>VR4270VD / VR4270VDSX</b>	2700 x 329 x 457 mm	13 x GN 1/4
Absorbimento all'avviamento / Starting electrical input	260 W / 1,52 A	
Absorbimento a regime / Steady state electrical input	220 W / 1,40 A	
Temperatura d'esercizio / Working temperature	+3°C / +5°C	
Gas refrigerante / Cooling gas	R452A - R455A - <b>R290</b> (A richiesta / On request)	
Classe climatica - Dati collaudo / Climatic class - Testing data	4 - Temperatura + 30°C / Umidità relativa 60% 4 - Temperature + 30°C / Relative humidity 60%	
Alimentazione / Power supply	220 / 240 V - 1P - 50 Hz (60 Hz A richiesta / On request)	

# VETRINA REFRIGERATA INGREDIENTI GN 1/4

1/4 GN refrigerated display for ingredients



Unità a DX / Unit on right side



Unità a SX / Unit on left side

**VETRINA REFRIGERATA INGREDIENTI PIZZA VR4 SV / REFRIGERATED DISPLAY FOR PIZZA INGREDIENTS VR4 SV**  
**VR4** Profondità 329 mm per vaschette GN 1/4 / 1/4 GN bowls, depth 329 mm - **SV** Senza vetri / Without glass

	Dimensioni (LxPxH mm) Dimensions (LxDxH mm)	Nr. di contenitori GN Number of GN stainless steel bowls
Codice / Code: <b>VR4120SV / VR4120SVSX</b>	1200 x 329 x 241 mm	4 x GN 1/4
Codice / Code: <b>VR4140SV / VR4140SVSX</b>	1400 x 329 x 241 mm	5 x GN 1/4
Codice / Code: <b>VR4150SV / VR4150SVSX</b>	1500 x 329 x 241 mm	6 x GN 1/4
Codice / Code: <b>VR4160SV / VR4160SVSX</b>	1600 x 329 x 241 mm	7 x GN 1/4
Codice / Code: <b>VR4190SV / VR4190SVSX</b>	1900 x 329 x 241 mm	8 x GN 1/4
Codice / Code: <b>VR4200SV / VR4200SVSX</b>	2000 x 329 x 241 mm	9 x GN 1/4
Codice / Code: <b>VR4203SV / VR4203SVSX</b>	2030 x 329 x 241 mm	9 x GN 1/4
Codice / Code: <b>VR4215SV / VR4215SVSX</b>	2150 x 329 x 241 mm	10 x GN 1/4
Codice / Code: <b>VR4240SV / VR4240SVSX</b>	2400 x 329 x 241 mm	12 x GN 1/4
Codice / Code: <b>VR4270SV / VR4270SVSX</b>	2700 x 329 x 241 mm	13 x GN 1/4
Absorbimento all'avviamento / Starting electrical input	260 W / 1,52 A	
Absorbimento a regime / Steady state electrical input	220 W / 1,40 A	
Temperatura d'esercizio / Working temperature	+3°C / +5°C	
Gas refrigerante / Cooling gas	R452A - R455A - <b>R290</b> (A richiesta / On request)	
Classe climatica - Dati collaudo / Climatic class - Testing data	4 - Temperatura + 30°C / Umidità relativa 60% 4 - Temperature + 30°C / Relative humidity 60%	
Alimentazione / Power supply	220 / 240 V - 1P - 50 Hz (60 Hz A richiesta / On request)	